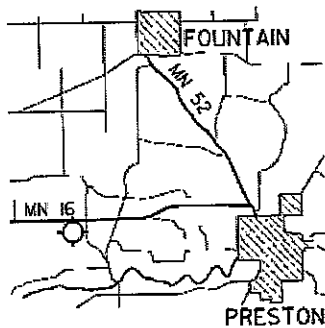


FIELD ELEV. 1276'

(FKA)

PRESTON

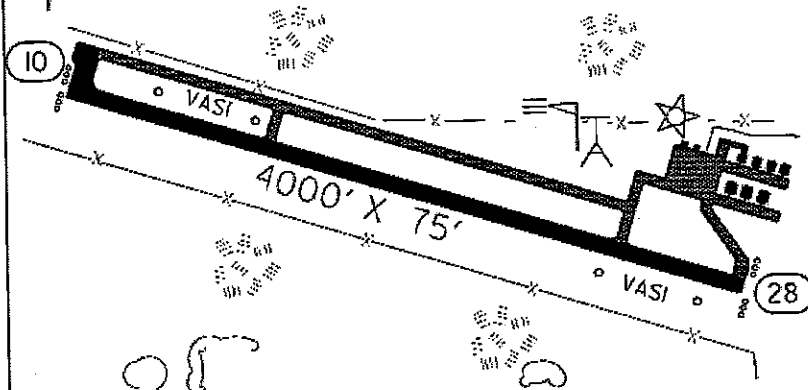
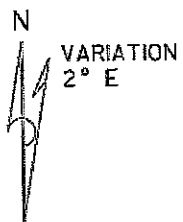
VICINITY MAP



SEC. CH: CHICAGO NORTH
 LAT: 43° 40.6'
 LONG: 92° 10.8'
 COMM: CTAF: 122.9(L)
 AWOS: 118.925 VHF
 ROCHESTER APP: 119.8
 MPLS CTR: 132.35
 RNAV: (RST 112.0) R104 D19.2
 TPA: 2070' (794')
 APPROACH: GPS



MN 16



RUNWAY 10 - 28			
CLICKS ON 122.9			
	3	5	7
LIGHTS	OFF	MED	HIGH
VASI	OFF	ON	ON

DAYLIGHT: TO GET LOW, CLICK "5" OR "7" FIRST, THEN "3"

FILLMORE COUNTY AIRPORT

PRESTON